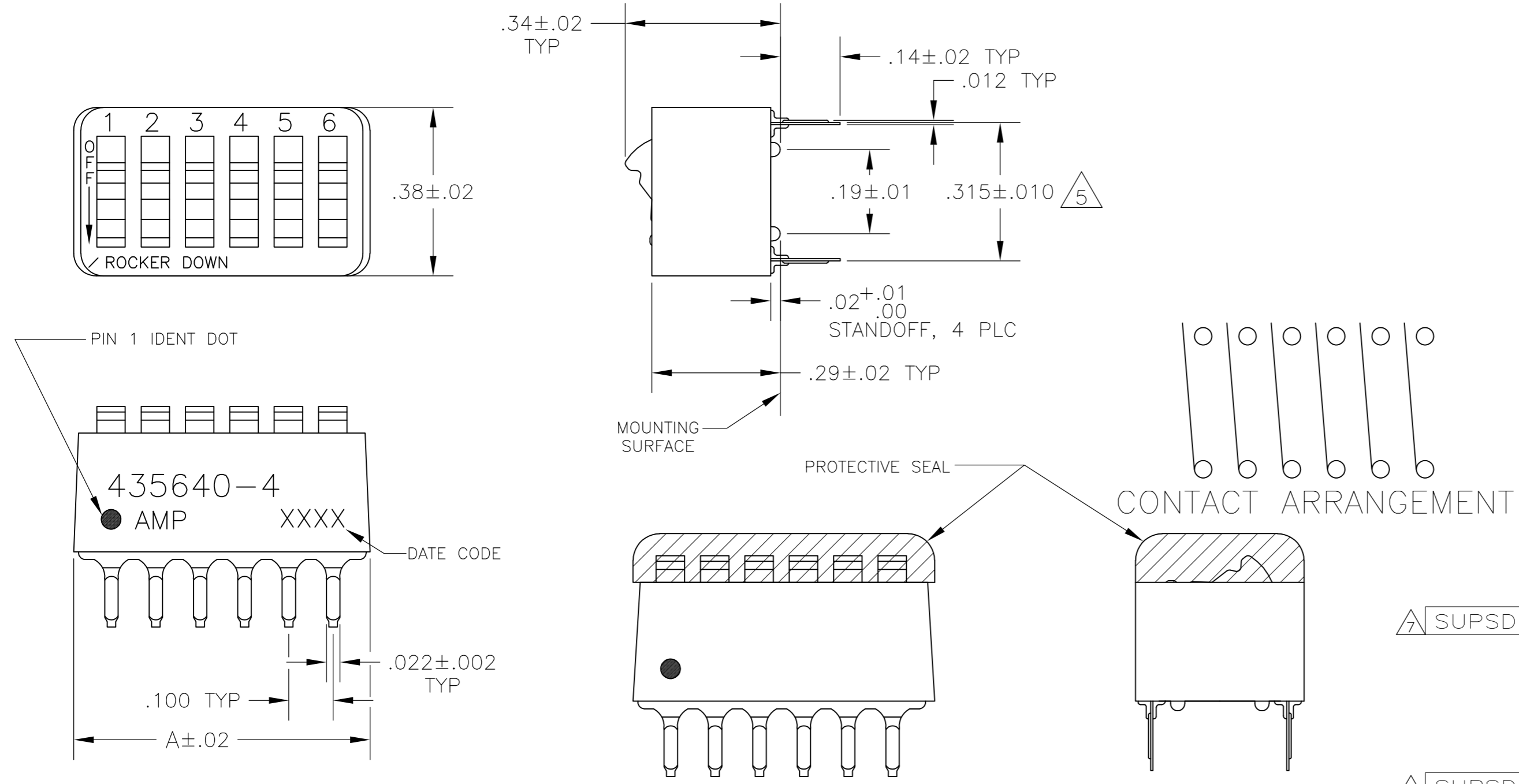


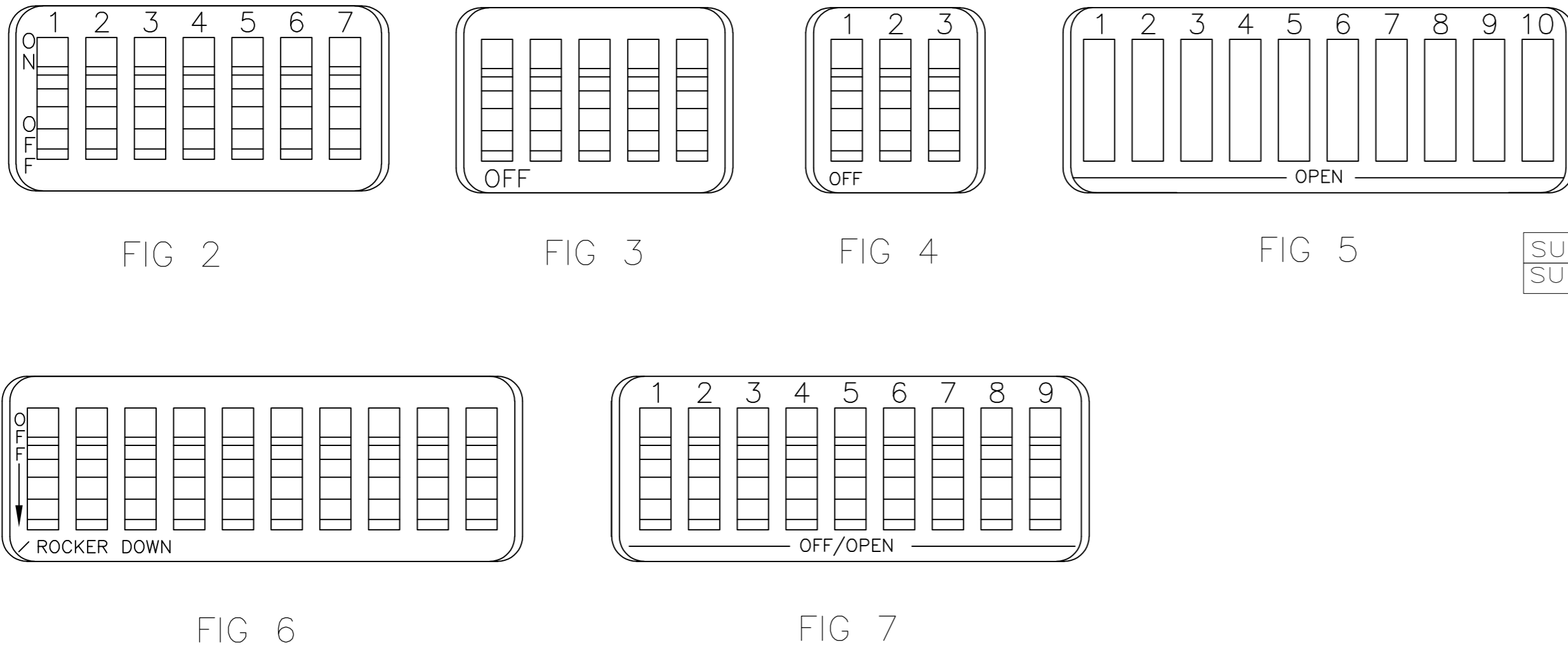
THIS DRAWING IS UNPUBLISHED. RELEASED FOR PUBLICATION
 © COPYRIGHT - By - ALL RIGHTS RESERVED.

LOC		DIST		REVISIONS			
P	LTR	DESCRIPTION	DATE	DWN	APVD		
AD	00	AM3	REVISED PER ECO-11-004587	11MAR11	RK	HMR	



- FOR ADDITIONAL SPECIFICATIONS SEE AMP PRODUCT SPEC 108-7532.
 - SWITCH SHOWN IN OPEN POSITION.
 - ALL CHARACTERS AND ROCKERS ARE WHITE, HOUSING IS BLUE.
 - STAMPING WILL VARY ON 2 AND 3 POSITION SIDES DUE TO SPACE RESTRICTIONS.
- △5 .315 DIMENSION APPLIES AT TERMINAL TIPS. TERMINALS ARE .300+.010-.000 AT MOUNTING SURFACE.
- △6 STRIPPABLE TRANSPARENT SEAL, SEE FIG 1.

△	DESCRIPTION	FIG	NO. OF POSN	NO. OF POSN	PART NO.
△7	OBSOLETE	FIG 6	1.08	10	6-435640-1
			.58	5	6-435640-0
△	OBSOLETE	FIG 7	.48	4	5-435640-9
			.88	8	5-435640-8
			.98	9	5-435640-7
△	OBSOLETE	FIG 5	.68	6	5-435640-6
			.58	5	5-435640-5
△	SUPSD BY 5-5435640-4	FIG 2	.48	4	5-435640-4
		FIG 5	.88	8	5-435640-2
			1.08	10	5-435640-1
		FIG 3	.88	8	5-435640-0
△	SUPSD BY 4-5435640-8		.88	8	4-435640-9
			.58	5	4-435640-8
		NONE	1.08	10	4-435640-7
			1.28	12	4-435640-3
			1.08	10	4-435640-1
			.98	9	4-435640-0
		AS SHOWN	.88	8	3-435640-9
			.78	7	3-435640-8
			.68	6	3-435640-7
			.58	5	3-435640-6
			.48	4	3-435640-5
			.38	3	3-435640-4
			.28	2	3-435640-3
	SUPSD BY 3-435668-3	FIG 4	1.28	12	3-435640-2
	SUPSD BY 2-435668-6		.38	3	3-435640-0
	SUPSD BY 3-1589670-4		.28	2	2-435640-9
		FIG 4	.28	2	2-435640-9
			.78	7	2-435640-2
	OBSOLETE	FIG 2	1.08	10	435640-7
			.98	9	435640-6
			.88	8	435640-5
		AS SHOWN	.68	6	435640-4
			.58	5	435640-3
			.48	4	435640-2
			.78	7	435640-1
		TOP MARKING	A	NO OF POSN	PART NO.



△7 OBSOLETE PARTS: OBSOLETE CIS STREAMLINING PER D.RENAUD/D.SINISI

THIS DRAWING IS A CONTROLLED DOCUMENT.		DWN R.TALLEY 15NOV89		
		CHK R.L.MILLER 06MARGO		
DIMENSIONS: INCHES		APVD H.LEITER 06MARGO	NAME	
TOLERANCES UNLESS OTHERWISE SPECIFIED:		PRODUCT SPEC	SWITCH ASSY, DIP, TYPE C, 7100 SERIES, SPST, STANDARD	
0 PLC ± -		APPLICATION SPEC	SIZE CAGE CODE DRAWING NO RESTRICTED TO	
1 PLC ± -			A2 00779 C-435640	
2 PLC ± -			SCALE 4:1 SHEET 1 OF 1 REV AM3	
3 PLC ± .005				
4 PLC ± -				
ANGLES ± -				
MATERIAL HOUSING & ROCKERS; POLYESTER CONTACTS; COPPER ALLOY		FINISH CONTACTS: PLATED .000030 MIN GOLD IN CONTACT AREA OVER .000050 MIN NICKEL	CUSTOMER DRAWING	